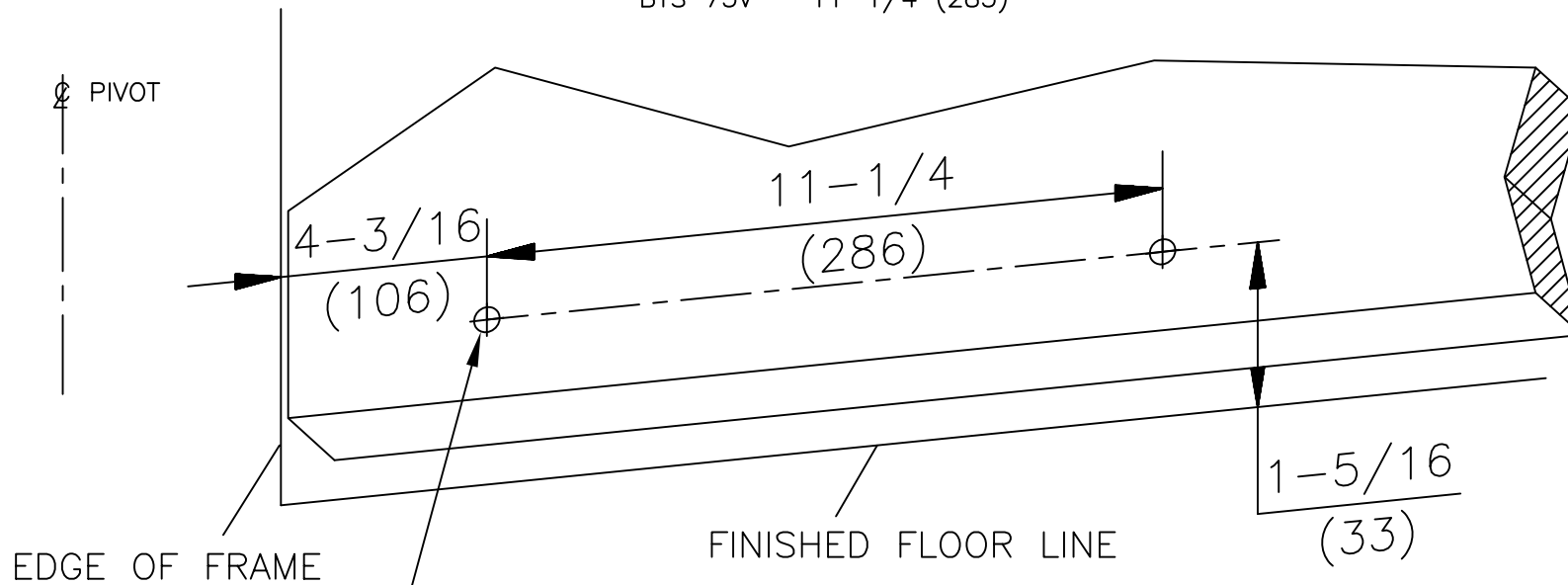
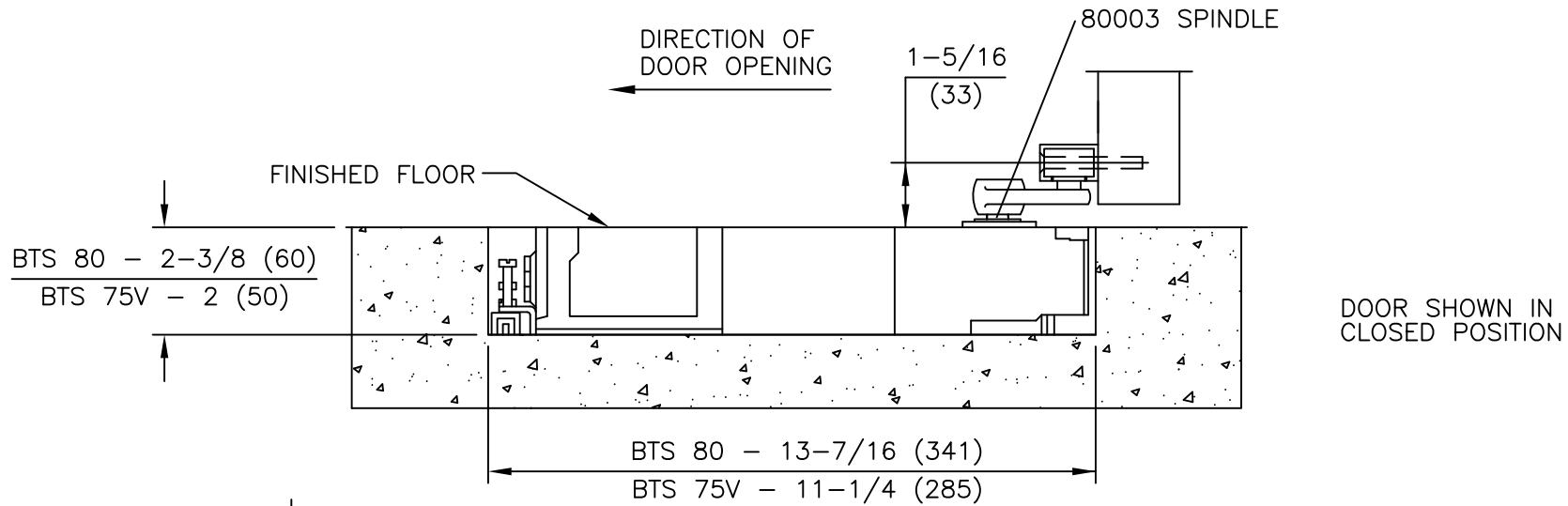


1. DO NOT SCALE DRAWING.
2. DIMENSIONS ARE IN $\frac{\text{INCHES}}{\text{(MM)}}$.
3. RIGHT HAND DOOR SHOWN.
4. MAXIMUM OPENING 90°.
5. SPINDLE No. 80003 SHOWN. FOR APPLICATIONS WITH THRESHOLDS USE SPINDLE No. 80012 AND ADD 1/2" TO VERTICLE DIMENSIONS NOTED.
6. FOR DOORS HUNG ON DORMA 75520/75523, DOROMATIC 91105/91105F OR RIXSON 519 POCKET PIVOTS.
7. MINIMUM POCKET DEPTH 4-1/2".
8. SEX NUTS ARE RECOMMENDED FOR ATTACHMENT OF COMPONENTS ON UNREINFORCED, COMPOSITE, OR LABELED FIRE DOORS.

FLOOR CLOSER MODELS: BTS 75V/P,PF & BTS 80/P,PF WITH 7451N
 SLIDE ARM ASSEMBLY
 POCKET PIVOT APPLICATION (PULL SIDE MOUNT)
 TRACK SURFACED APPLIED TO DOOR



dormakaba USA, INC.
 800 523 8483



FOR 1/4-20 MACHINE SCREWS USE No.7 DRILL
 FOR WOOD SCREWS PROVIDED USE 5/32" DRILL
 FOR SEX NUTS USE 3/8" DRILL
 TWO (2) HOLES IN DOOR FOR TRACK